

# SRE-2010E/SRE-2010EOS ELITE STRAIGHT OUTDOOR STAIRLIFT TECHNICAL APPLICATION DRAWING

## TECHNICAL DATA/SPECIFICATION

MODEL: SRE-2010E, SRE-2010EOS OUTDOOR ELITE STRAIGHT RAIL STAIRLIFT

RATED LOAD: 400 LBS, ONE PASSENGER

POWER SOURCE: 24 VOLT DC COMPRISED OF (2) 7 AMP/HR 12 VOLT SEALED BATTERIES  
110 VOLT AC 1.5 AMP, 24 VOLT DC 2 AMP CONTINUOUS MONITORING CHARGER.

DRIVE: 24 VOLT DC DIRECT DRIVE GEAR-MOTOR, 2 POLE RATED .68 HP, 58:1 RIGHT ANGLE SELF LOCKING GEARBOX, 41.5 RPM NO LOAD RPM OUTPUT SPEED.

SUSPENSION: RACK & PINION - INTEGRATED 8DP GEAR RACK ON RAIL WITH A SPUR GEAR ON THE OUTPUT SHAFT OF THE GEAR BOX.

BRAKING: DYNAMIC MOTOR BRAKING THROUGH THE MOTOR CONTROLLER, SELF LOCKING WORM GEAR, AND ELECTRO-MECHANICAL MOTOR BRAKE.

CONTROLS: CONTINUOUS PRESSURE ARMREST SWITCH LOCATED ON THE ARM REST AND WALL MOUNTED CALL/SEND CONTROLS LOCATED AT BOTH THE TOP AND BOTTOM LANDINGS.

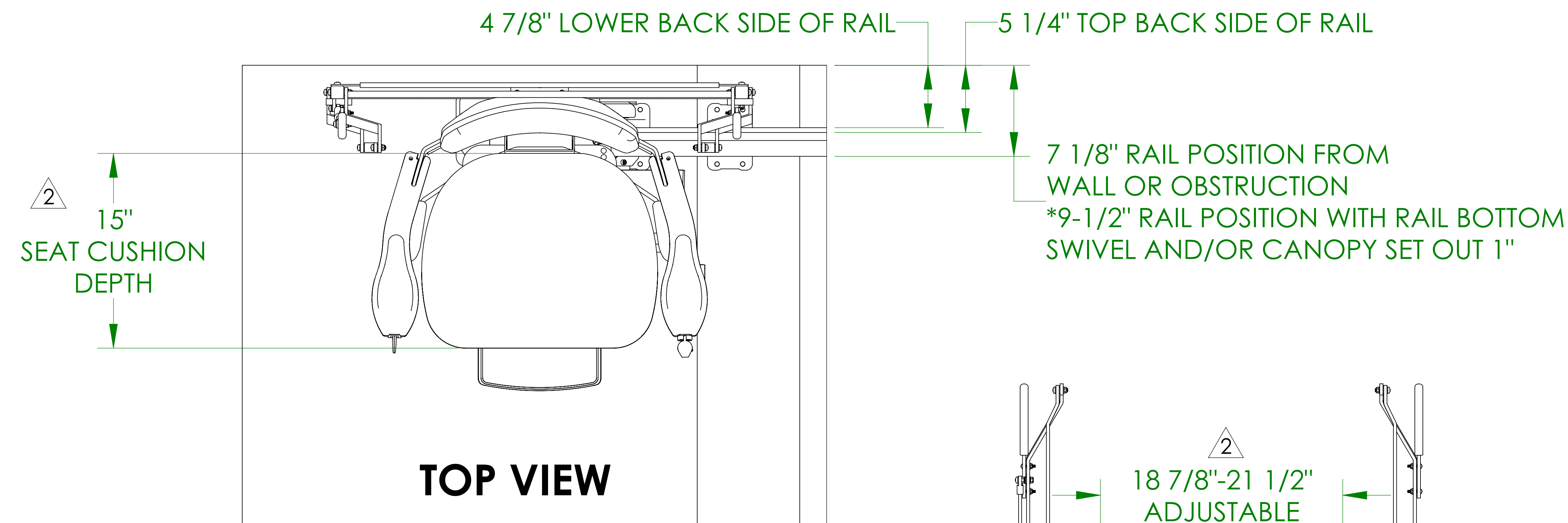
ANGLES: (SRE-2010E) 0 TO 45 DEGREES (CUSTOM TO 50 DEGREES)  
(SRE-2010EOS) 30 TO 45 DEGREES (CUSTOM TO 50 DEGREES)  
RIGHT OR LEFT HAND ORIENTATIONS

FINAL LIMIT SWITCH STANDARD  
KEYED CALL/SEND CONTROLS STANDARD  
KEYED CONTROL ON CHAIR STANDARD

OPTIONS:

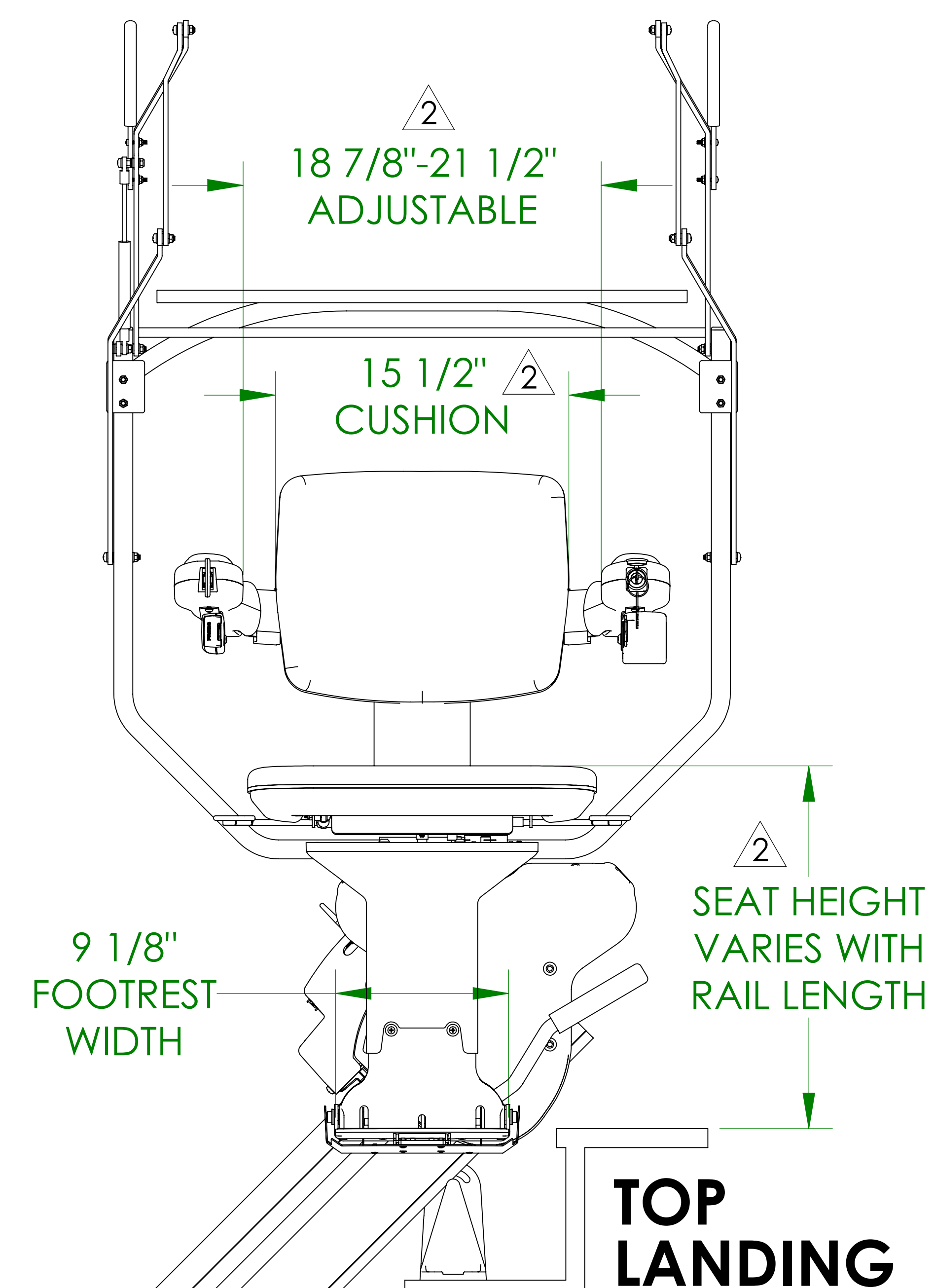
- 1) XL SEAT
- 2) PACKAGE WITH OVERSPEED SAFETY BRAKE (SRE-2010EOS)
- 3) SEAT WITH ATTACHED CANOPY\*\*

\*\*NOT AVAILABLE WITH XL SEAT OPTION\*\*

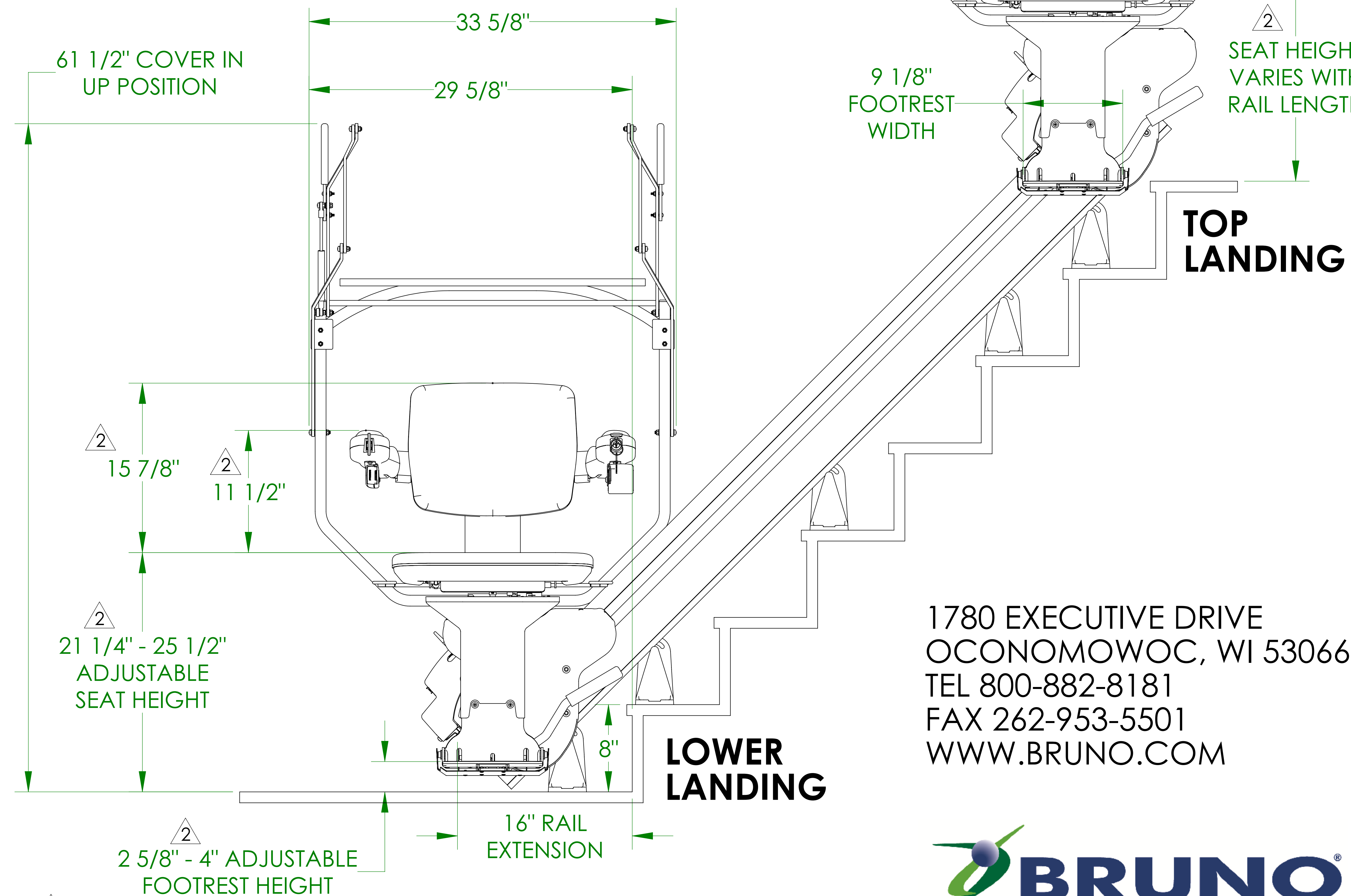
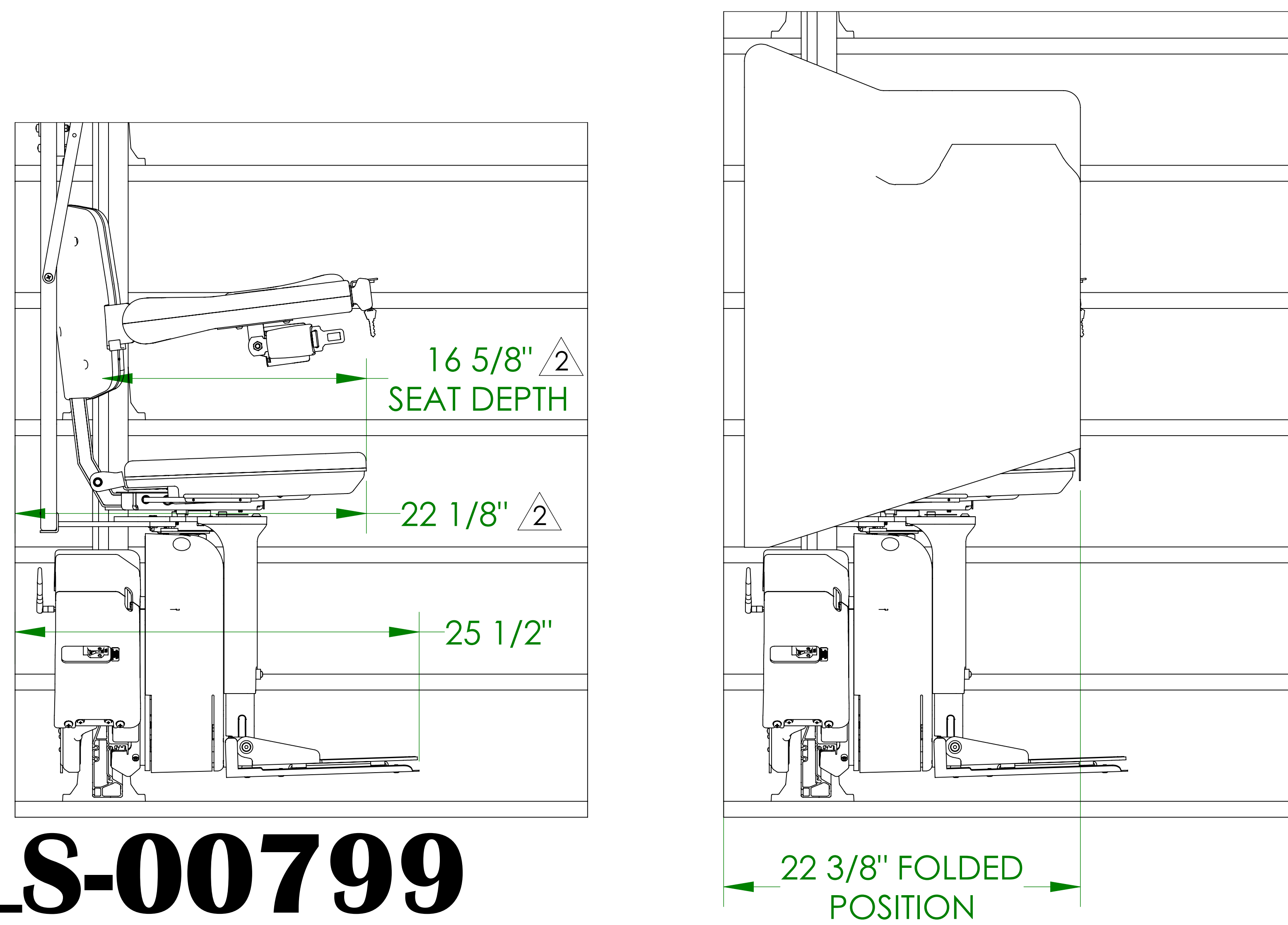


## VIEWS REFLECT CANOPY OPTION WITH SRE-2010E CARRIAGE.

LOWER LANDING EXTENSION DIMENSIONS ARE BASED ON 45-DEGREE RAIL SLOPE ON AN 8" 1ST RISER HEIGHT, DIMENSIONS WILL VARY BASED ON SLOPE AND RISER HEIGHT.



## SIDE VIEWS



1780 EXECUTIVE DRIVE  
OCONOMOWOC, WI 53066  
TEL 800-882-8181  
FAX 262-953-5501  
WWW.BRUNO.COM

- NOTES:
1. ALL SEATS ADJUST UP 3" IN 1" INCREMENTS.
  2. STANDARD FOOTREST ADJUSTMENTS UP 1 1/4" IN 5/8" INCREMENTS.

©Bruno Independent Living Aids, Inc.

ILS-00799

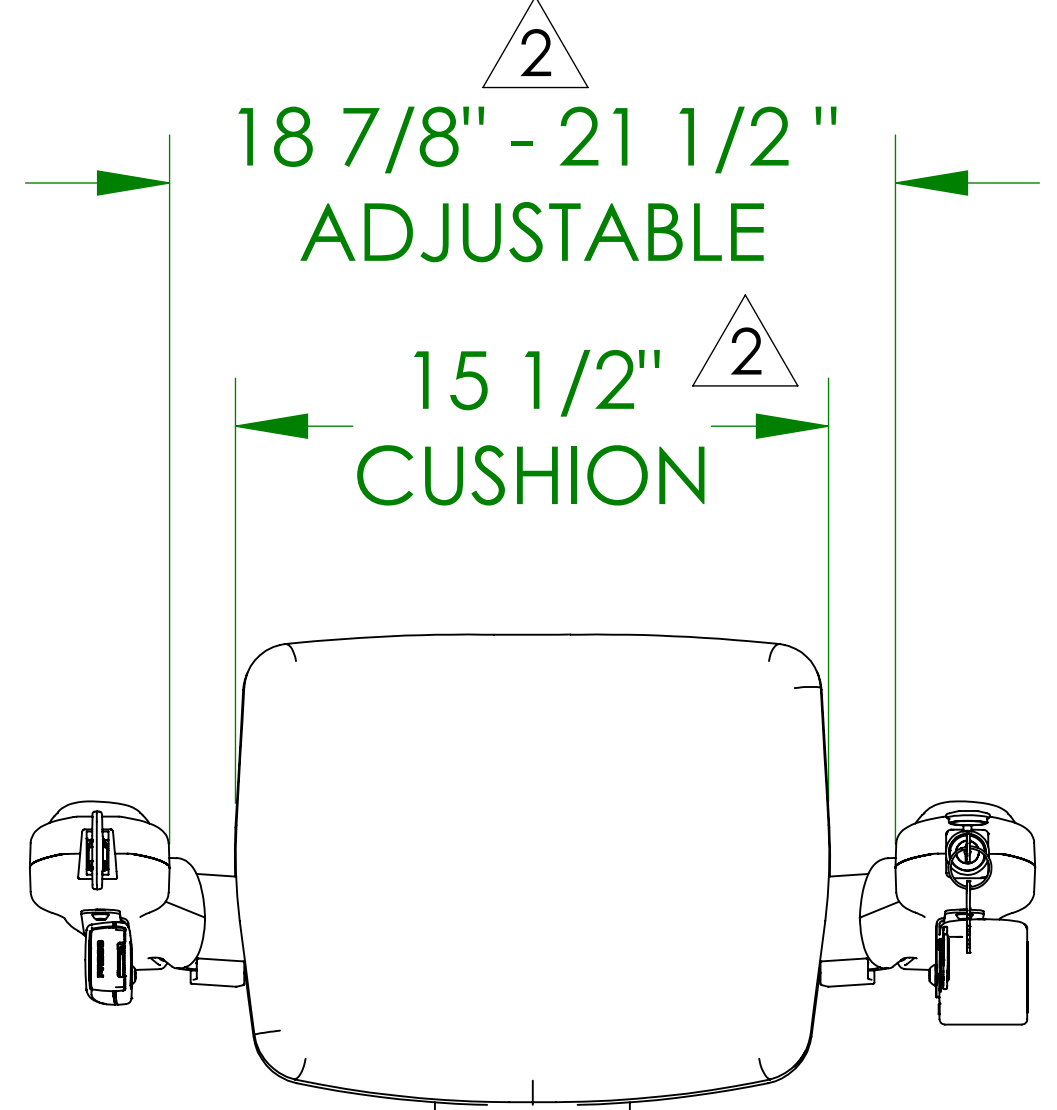
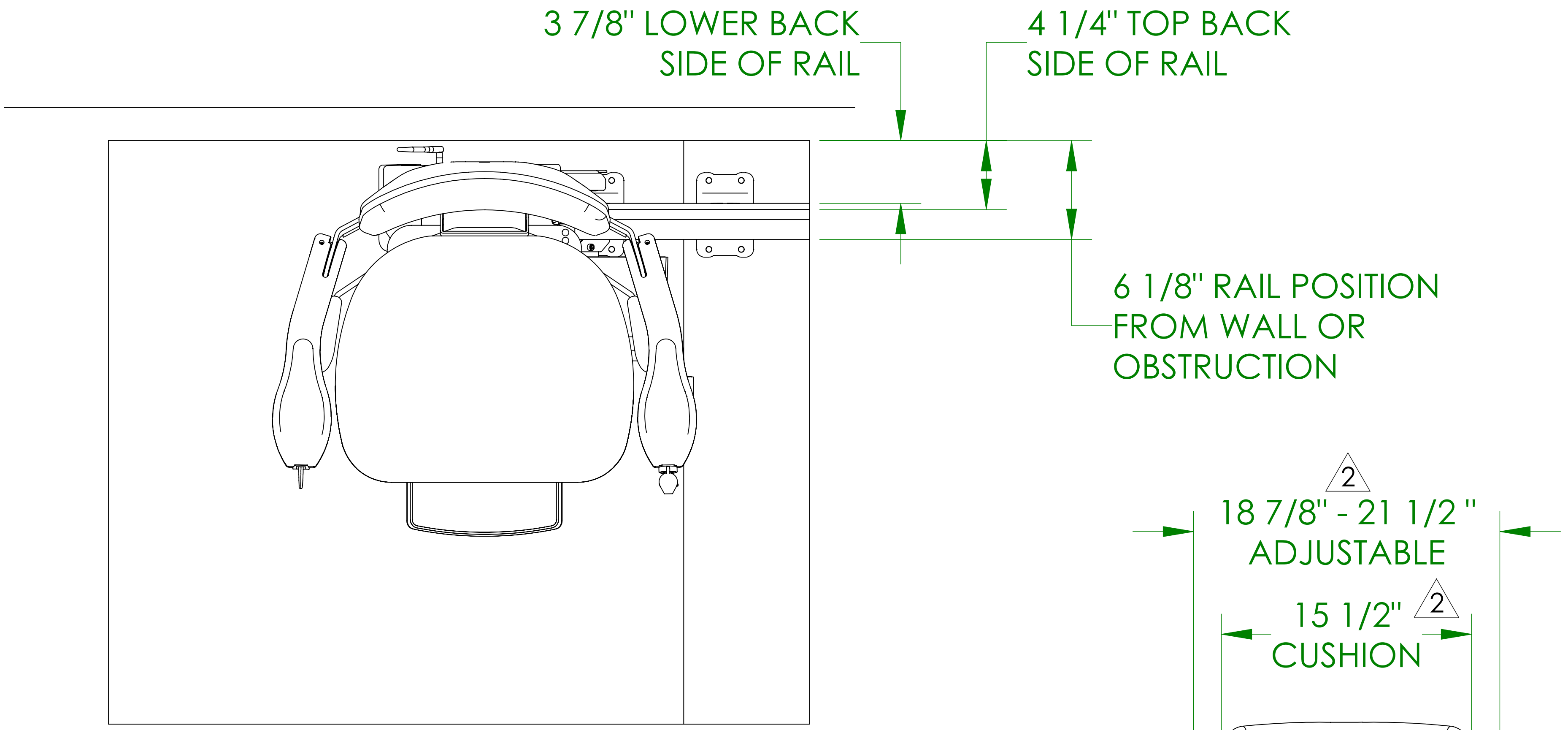
SHEET 1 OF 2

REV. 2 (7530)(09/22/22)(BHM)



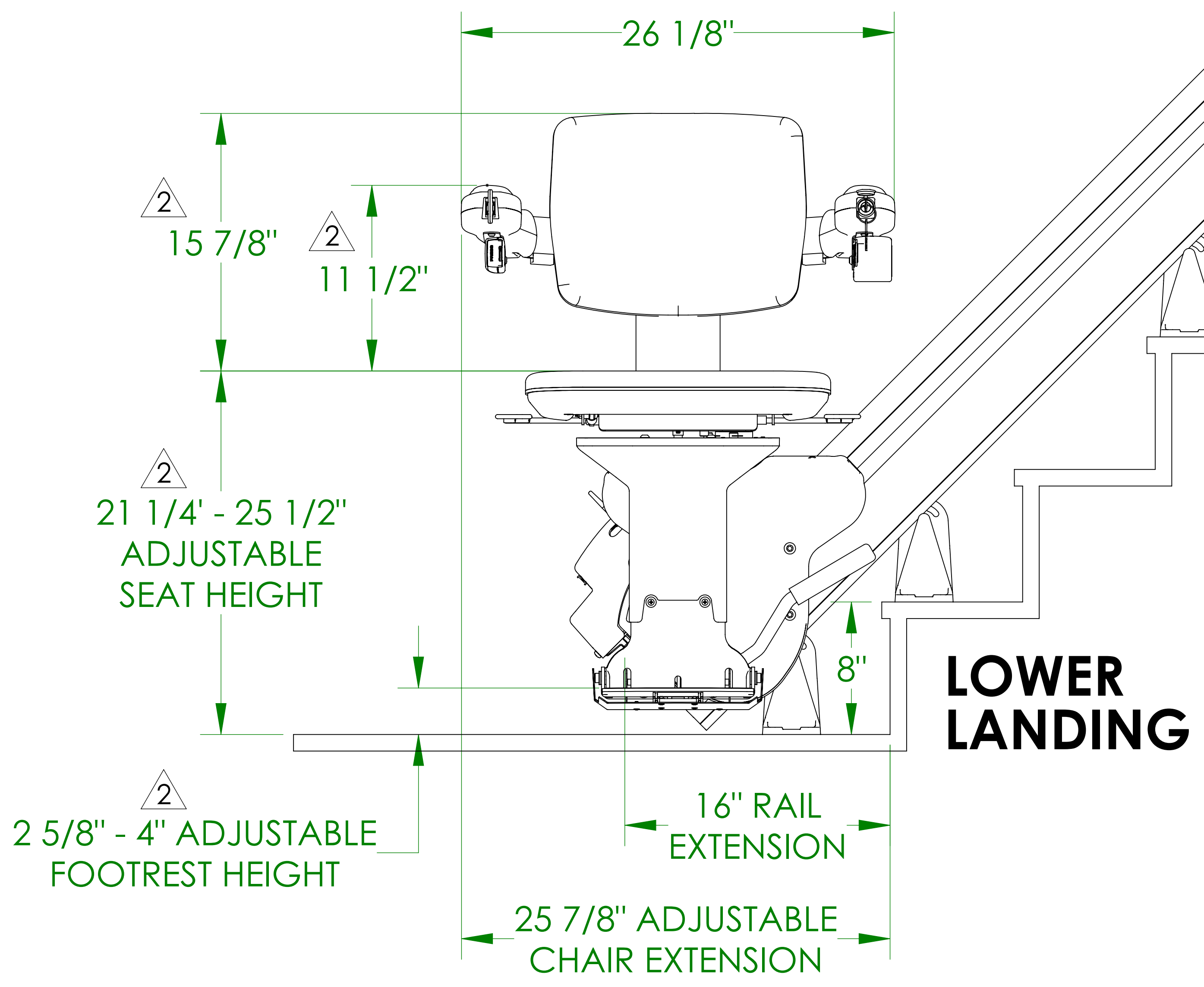
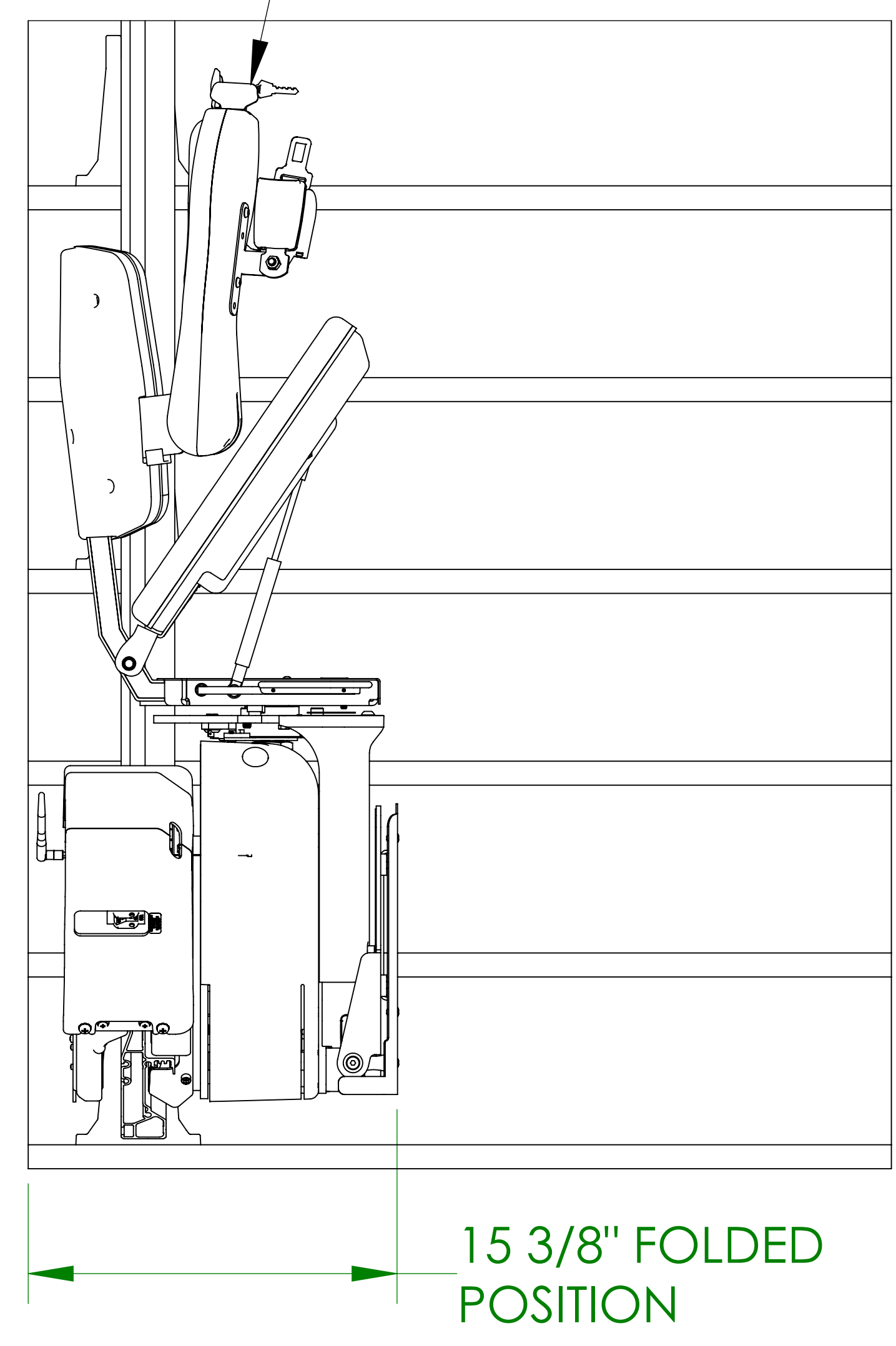
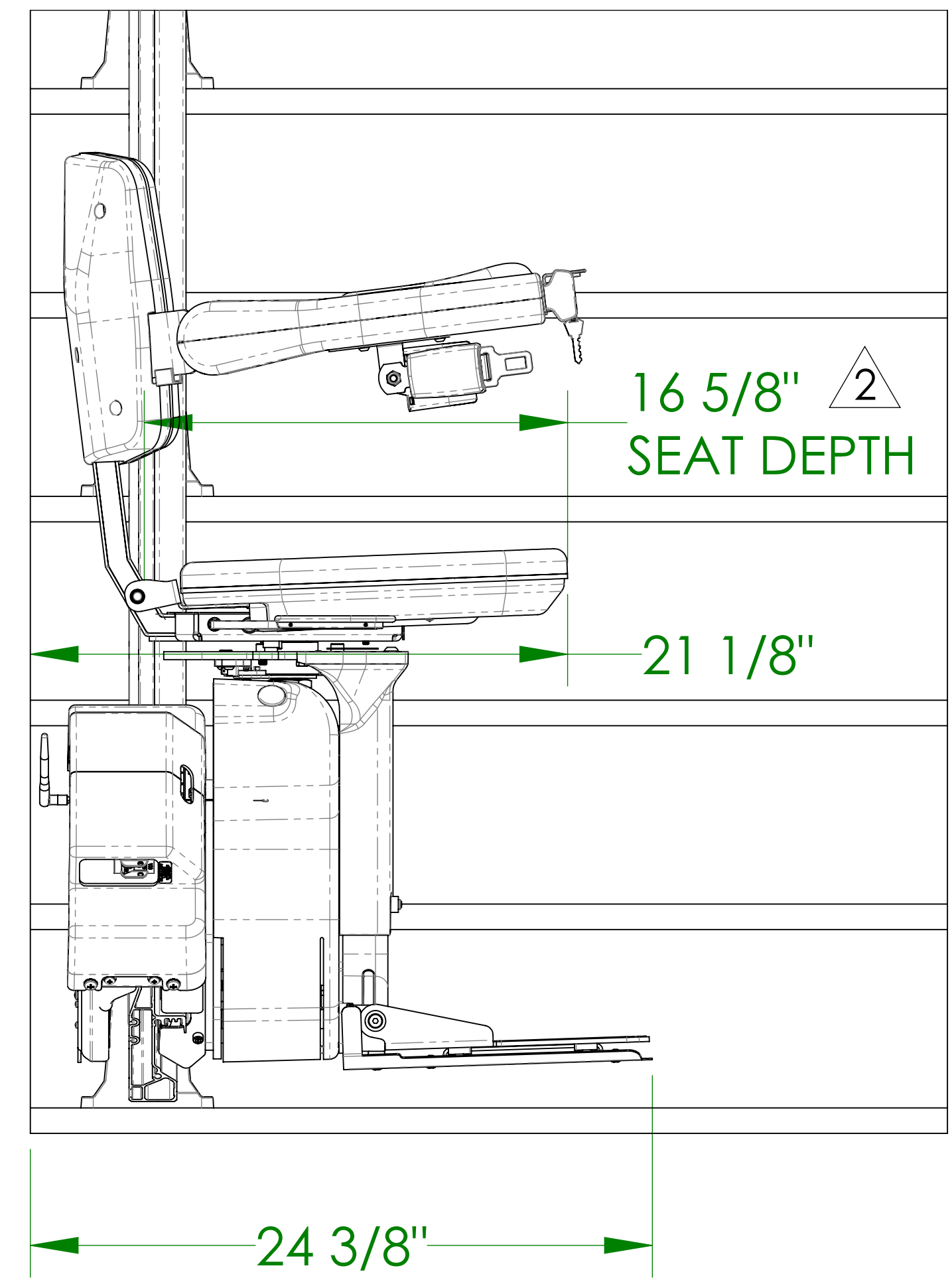
# SRE-2010E/SRE-2010EOS ELITE STRAIGHT OUTDOOR STAIRLIFT TECHNICAL APPLICATION DRAWING

VIEWS REFLECT STANDARD COVER WITH SRE-2010EOS CARRIAGE.



LOWER LANDING EXTENSION DIMENSIONS ARE BASED ON 45-DEGREE RAIL SLOPE ON AN 8\"/>

COVER NOT SHOWN AS IT CONFORMS TO THE STRUCTURE OF THE SEAT IN THE FOLDED UP POSITION



FOR SRE-2010EOS CARRIAGE, RAIL TO BE EXTENDED 4\"/>

1780 EXECUTIVE DRIVE  
 OCONOMOWOC, WI 53066  
 TEL 800-882-8181  
 FAX 262-953-5501  
 WWW.BRUNO.COM

**ILS-00799**  
**SHEET 2 OF 2**  
**REV. 2 (7530)(09/22/22)(BHM)**



©Bruno Independent Living Aids, Inc.