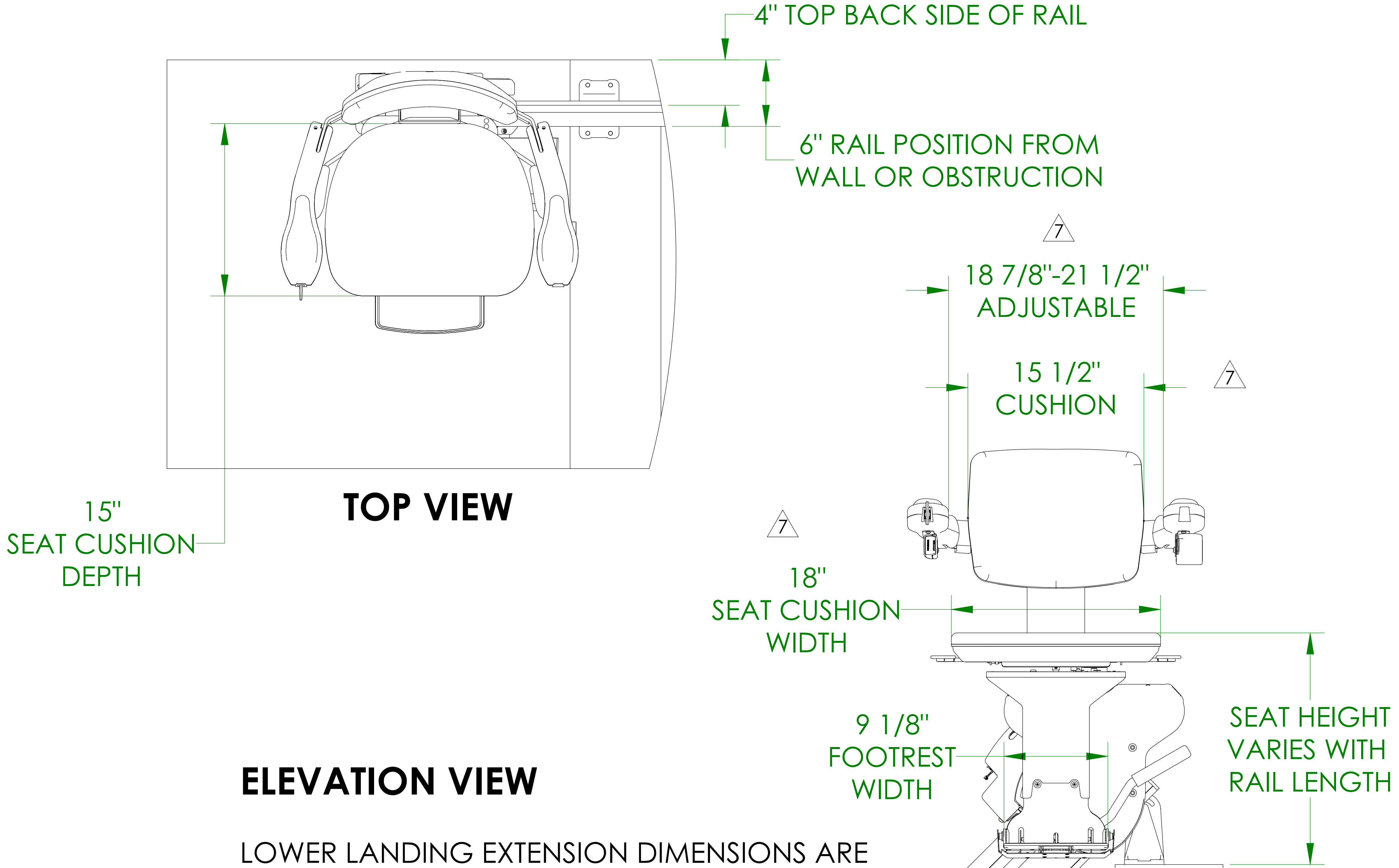
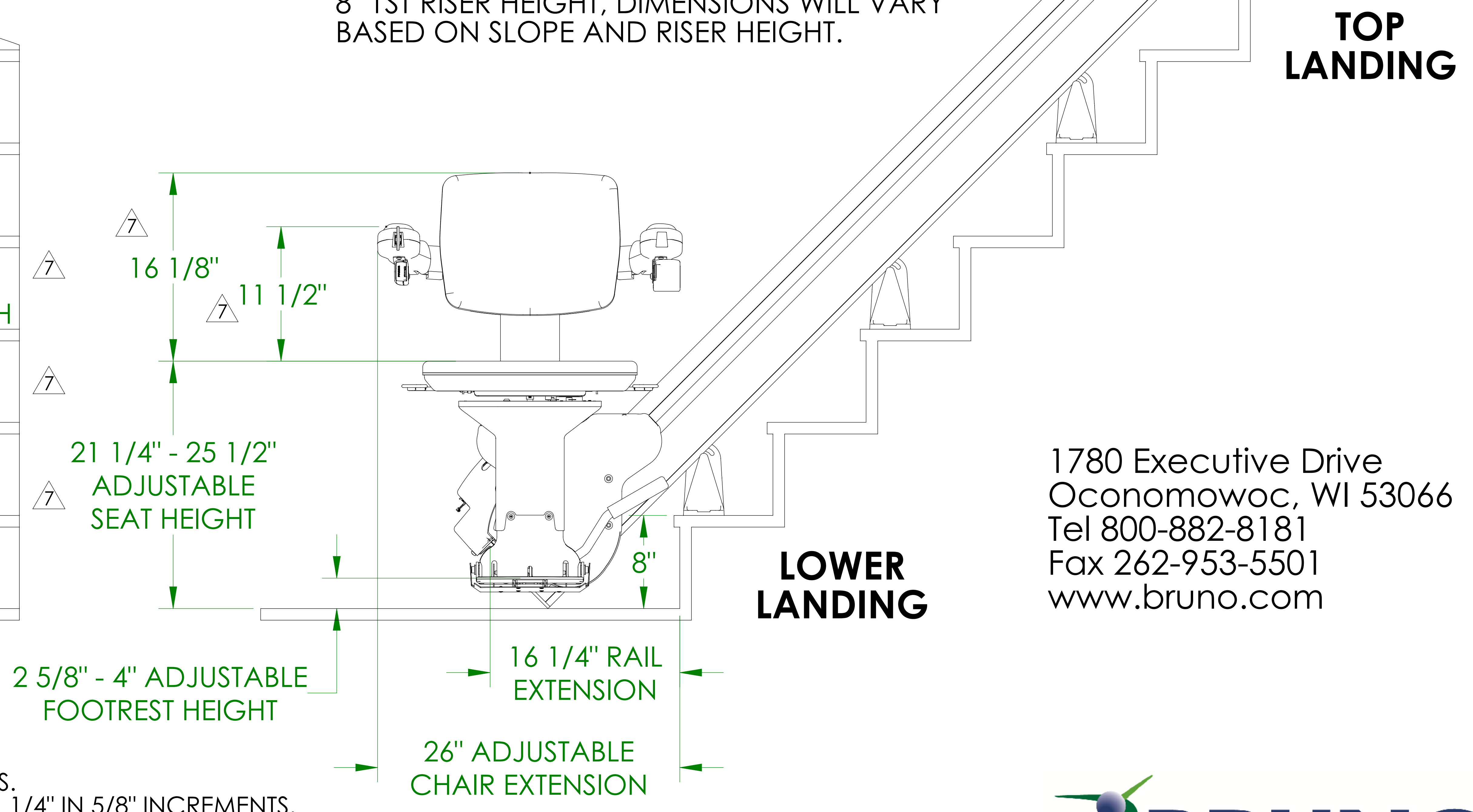
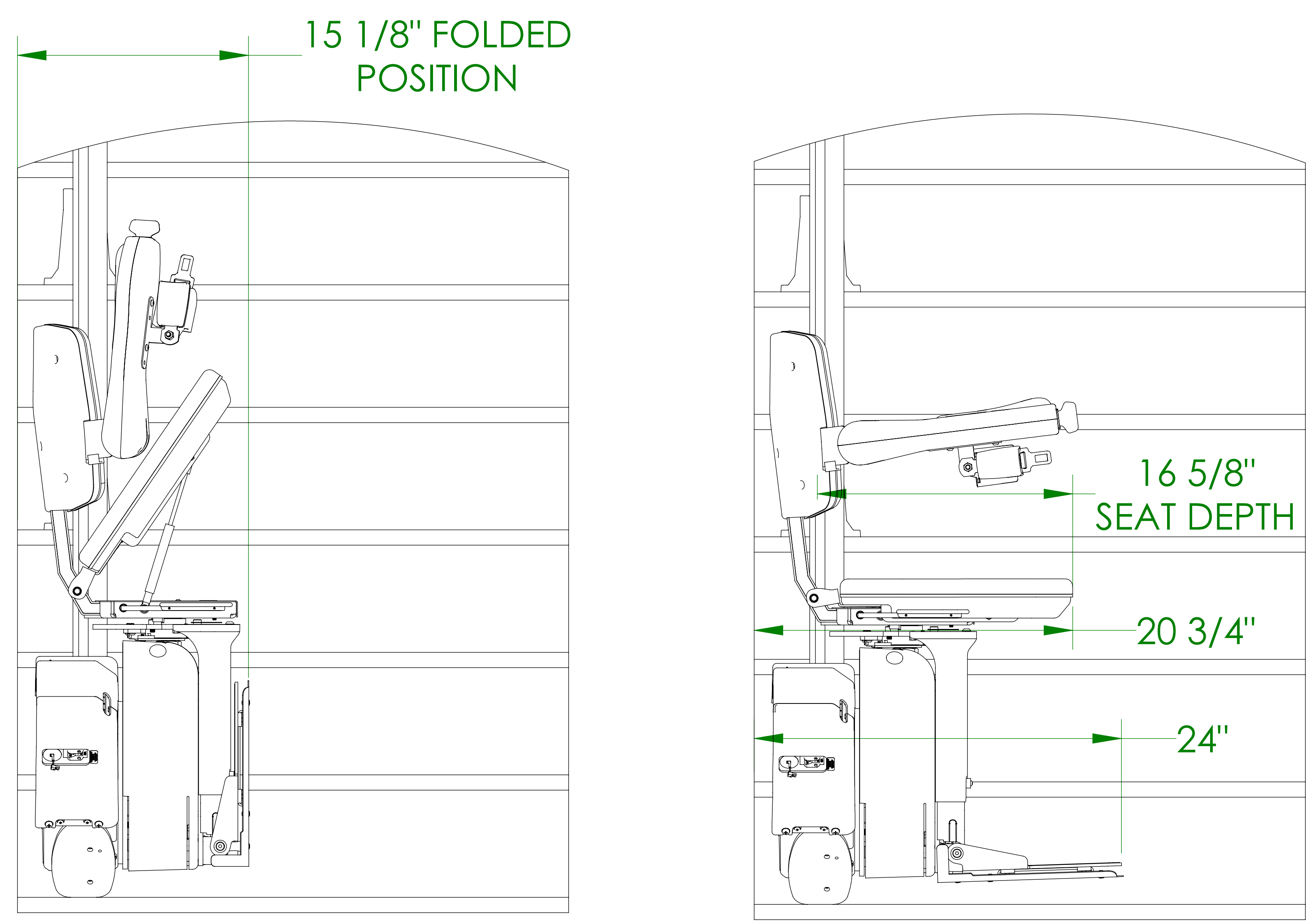


SRE-2010 ELITE STRAIGHT INDOOR STAIRLIFT TECHNICAL APPLICATION DRAWING

TECHNICAL DATA/SPECIFICATION
 MODEL: SRE-2010 ELITE
 RATED LOAD: 400 LBS., ONE PASSENGER
 POWER SOURCE: 24 VOLT DC COMPRISED OF (2) 7 AMP/HR 12 VOLT SEALED BATTERIES
 100-240 VOLT AC 1.5 AMP, 24 VOLT DC 2 AMP CONTINUOUS MONITORING CHARGER.
 DRIVE: 24 VOLT DC DIRECT DRIVE GEAR-MOTOR, 2 POLE RATED .68 HP, 58:1 RIGHT ANGLE SELF LOCKING GEARBOX, 41.5 RPM NO LOAD RPM OUTPUT SPEED.
 SUSPENSION: RACK & PINION - INTEGRATED 8DP GEAR RACK ON RAIL WITH A SPUR GEAR ON THE OUTPUT SHAFT OF THE GEAR BOX.
 BRAKING: DYNAMIC MOTOR BRAKING THROUGH THE MOTOR CONTROLLER, SELF LOCKING WORM GEAR, AND ELECTRO-MECHANICAL MOTOR BRAKE.
 CONTROLS: CONTINUOUS PRESSURE ARMREST SWITCH LOCATED ON THE ARM REST AND WALL MOUNTED CALL/SEND CONTROLS LOCATED AT BOTH THE TOP AND BOTTOM LANDINGS.
 ANGLES: 0 TO 45° (SPECIALS UP TO 50°) RIGHT OR LEFT HAND ORIENTATIONS.
 KEYED CONTROL ON CARRIAGE
 FINAL LIMIT SWITCH STANDARD
 OPTIONS:
 1) KEYED CALL/SEND CONTROLS,
 2) COMMERCIAL PACKAGE W/OVERSPEED SAFETY BRAKE.



LOWER LANDING EXTENSION DIMENSIONS ARE BASED ON 45° RAIL SLOPE ON AN 8" 1ST RISER HEIGHT, DIMENSIONS WILL VARY BASED ON SLOPE AND RISER HEIGHT.



1780 Executive Drive
 Oconomowoc, WI 53066
 Tel 800-882-8181
 Fax 262-953-5501
 www.bruno.com

NOTES:
 1. ALL SEATS ADJUST UP 3" IN 1" INCREMENTS.
 2. STANDARD FOOTREST ADJUSTMENTS UP 1 1/4" IN 5/8" INCREMENTS.

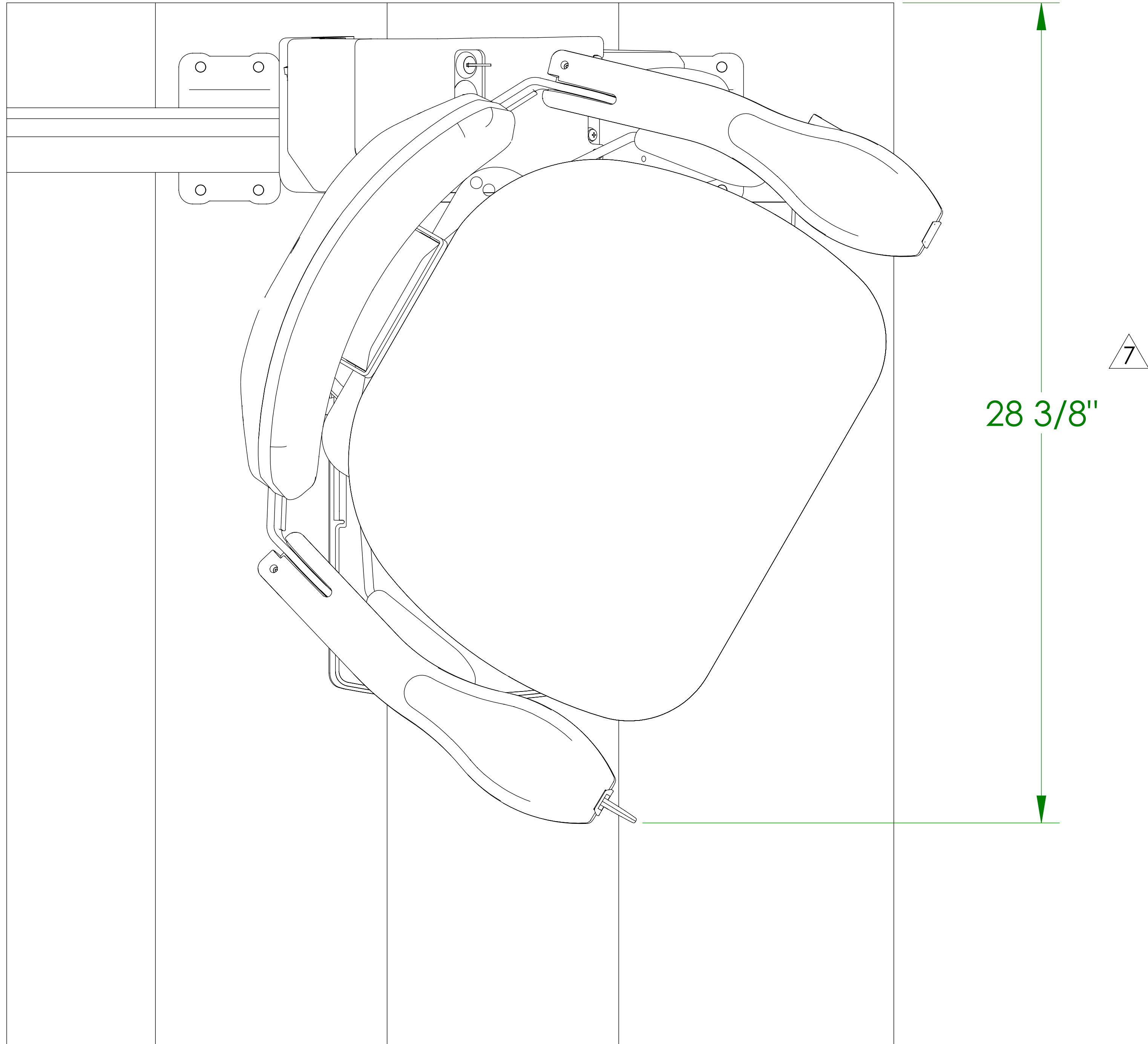
ILS-01343
SHEET 1 OF 3
REV. 7 (7530)(08/24/22)(BHM)



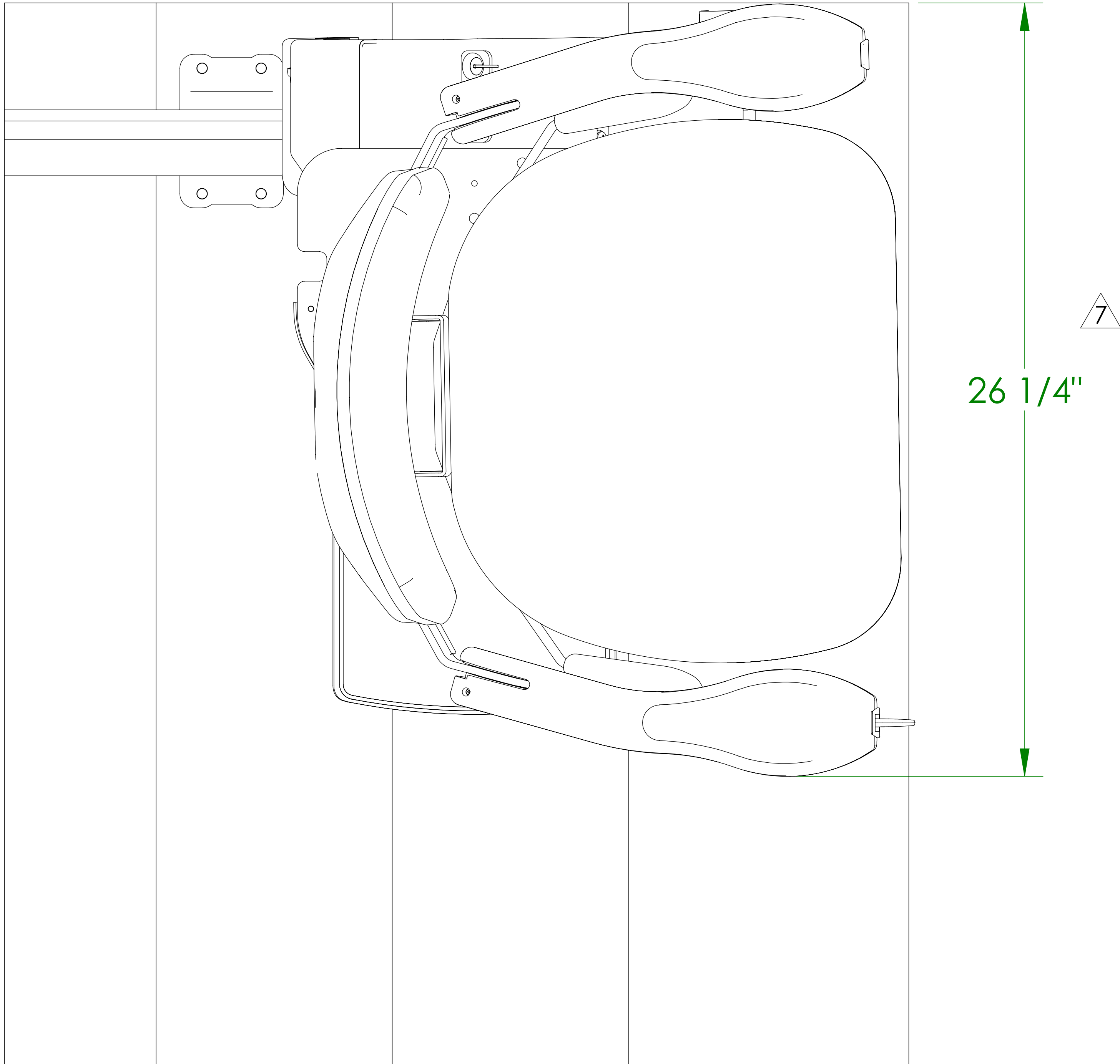
©Bruno Independent Living Aids, Inc.

SRE-2010 ELITE STRAIGHT INDOOR STAIRLIFT TECHNICAL APPLICATION DRAWING

DISTANCE FROM WALL - SEAT SWIVELED



SEAT SWIVELED 60°



SEAT SWIVELED 90°

1780 Executive Drive
Oconomowoc, WI 53066
Tel 800-882-8181
Fax 262-953-5501
www.bruno.com

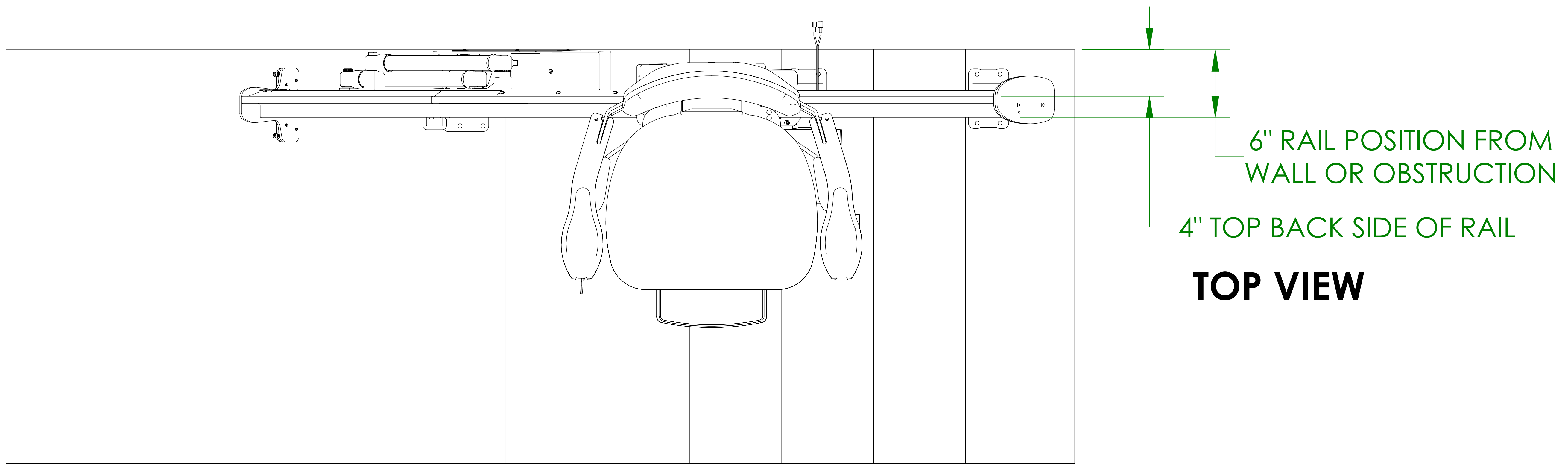
ILS-01343
SHEET 2 OF 3
REV. 7 (7530)(08/24/22)(BHM)



©Bruno Independent Living Aids, Inc.

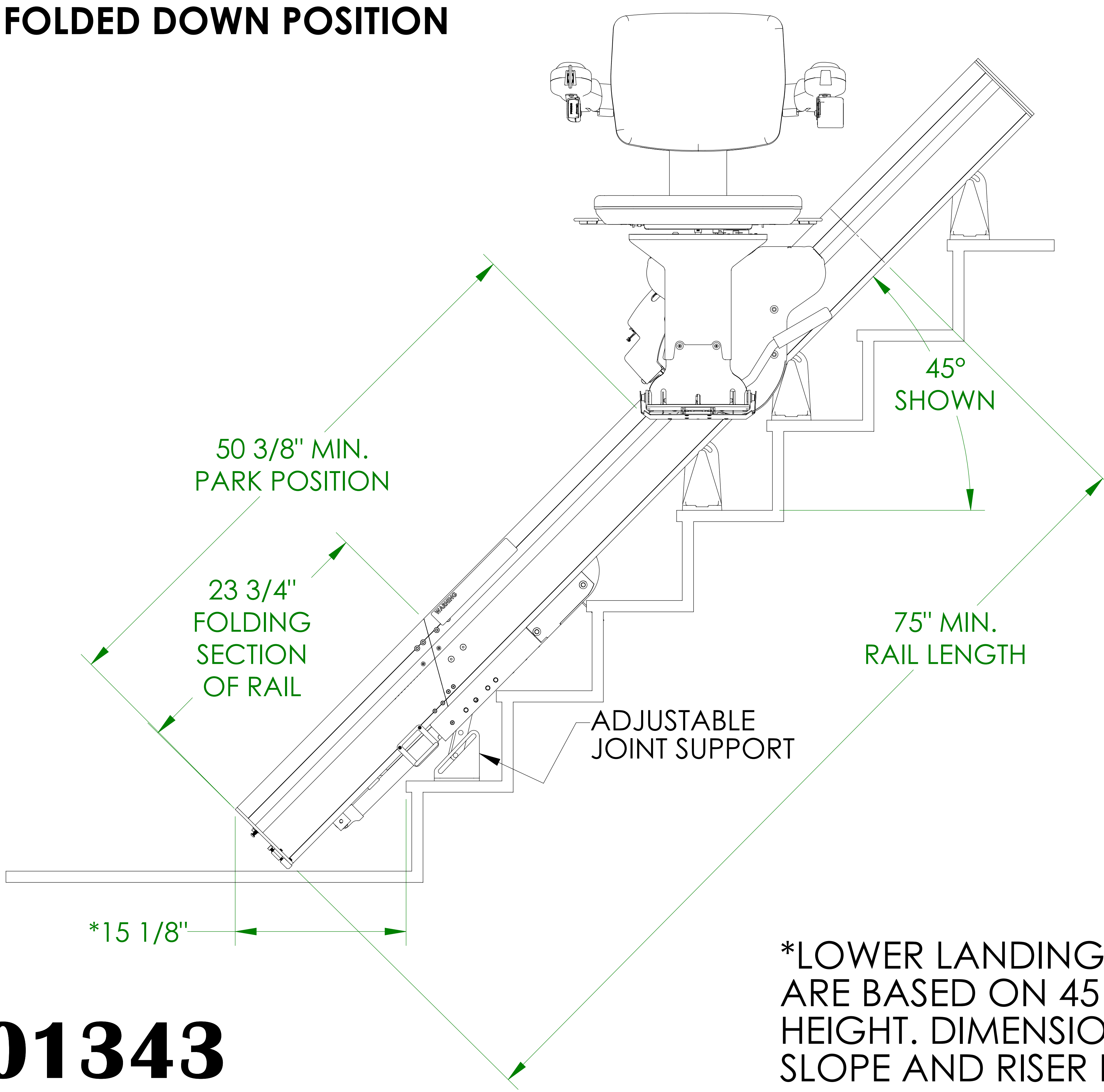
SRE-2010 ELITE STRAIGHT INDOOR STAIRLIFT TECHNICAL APPLICATION DRAWING

FOLDING RAIL

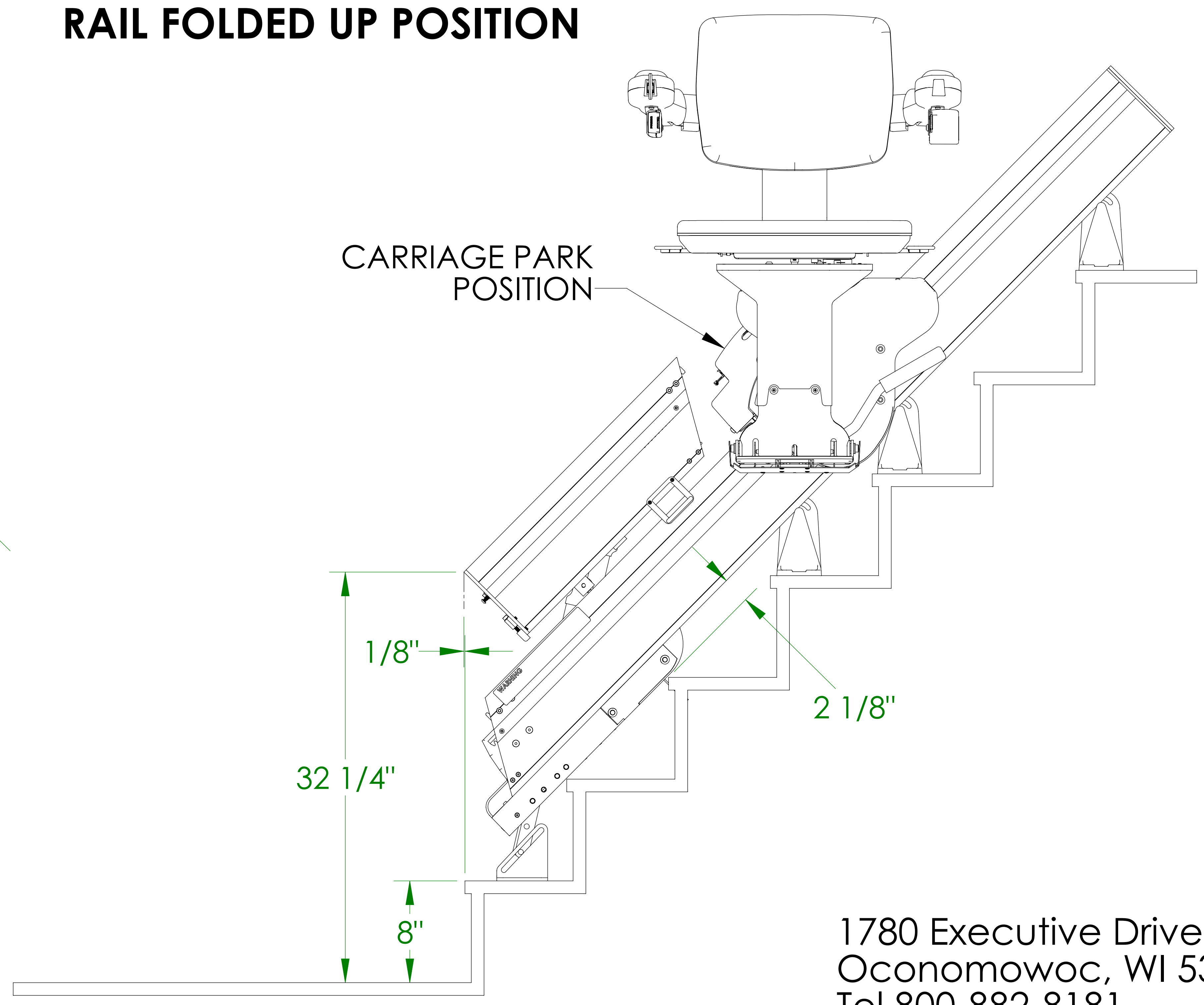


TOP VIEW

**AUXILIARY ELEVATION VIEW
RAIL FOLDED DOWN POSITION**



**AUXILIARY ELEVATION VIEW
RAIL FOLDED UP POSITION**



*LOWER LANDING EXTENSION DIMENSIONS ARE BASED ON 45° RAIL SLOPE AND 8" RISER HEIGHT. DIMENSIONS WILL VARY BASED ON SLOPE AND RISER HEIGHT.

1780 Executive Drive
Oconomowoc, WI 53066
Tel 800-882-8181
Fax 262-953-5501
www.bruno.com