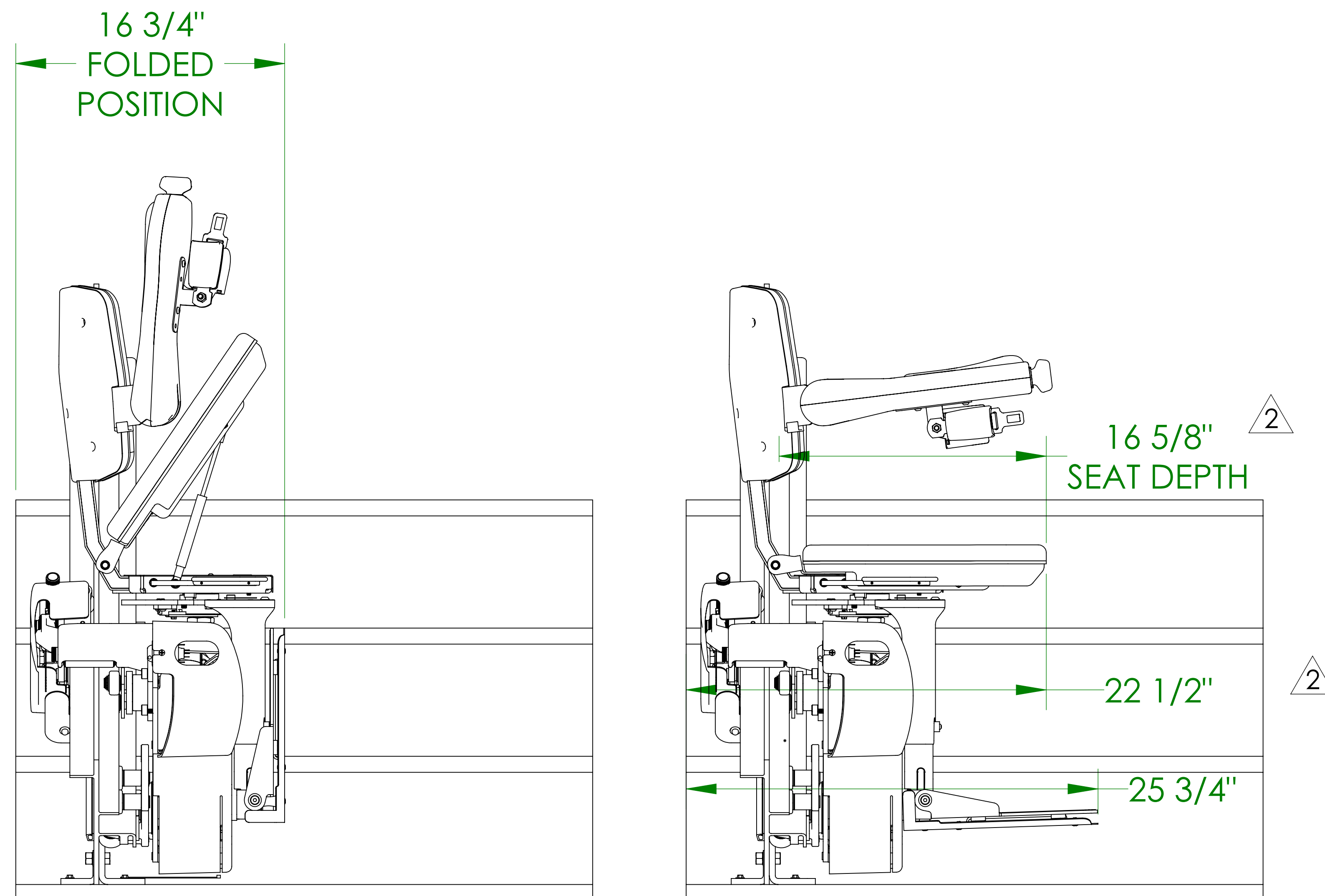
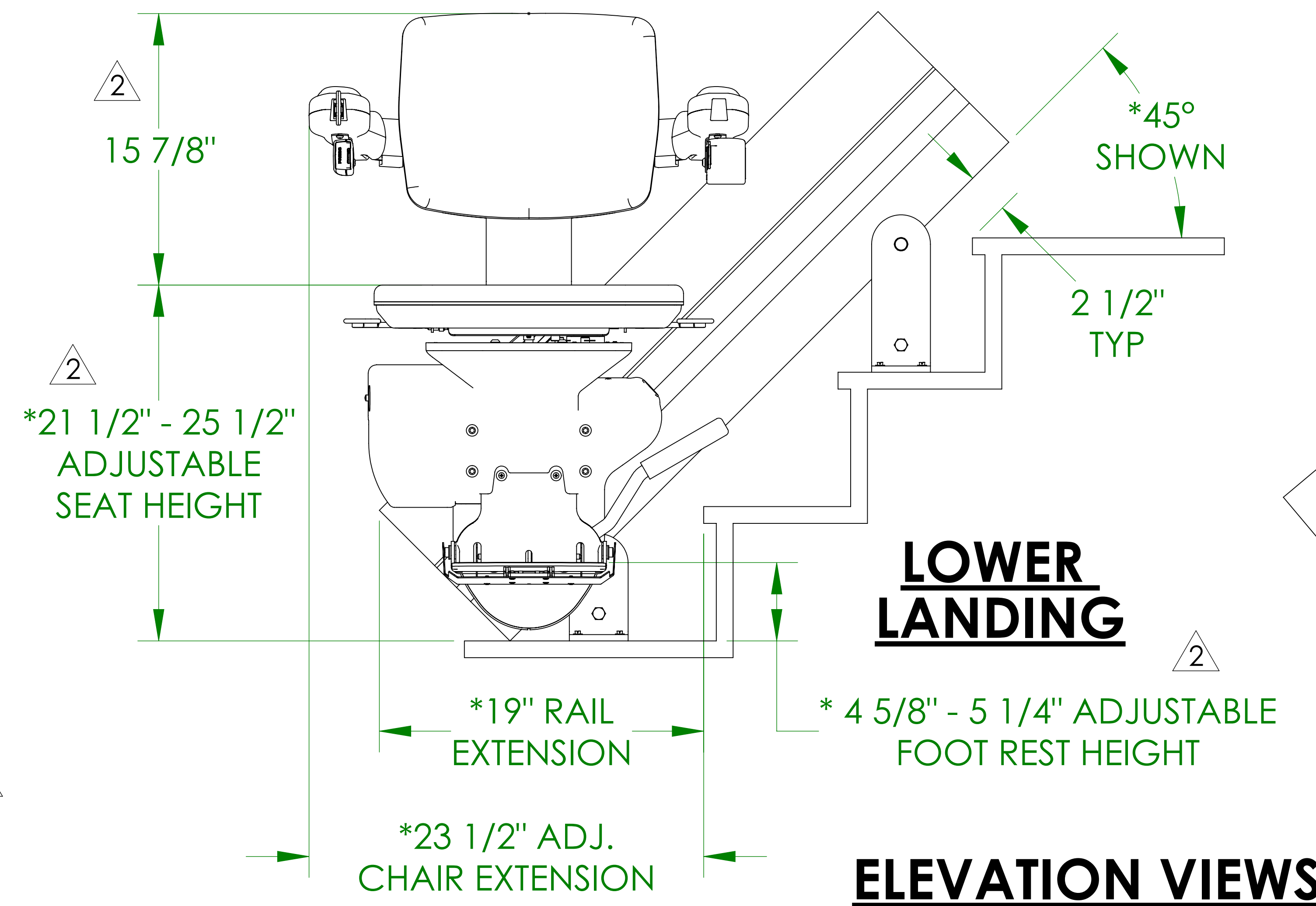
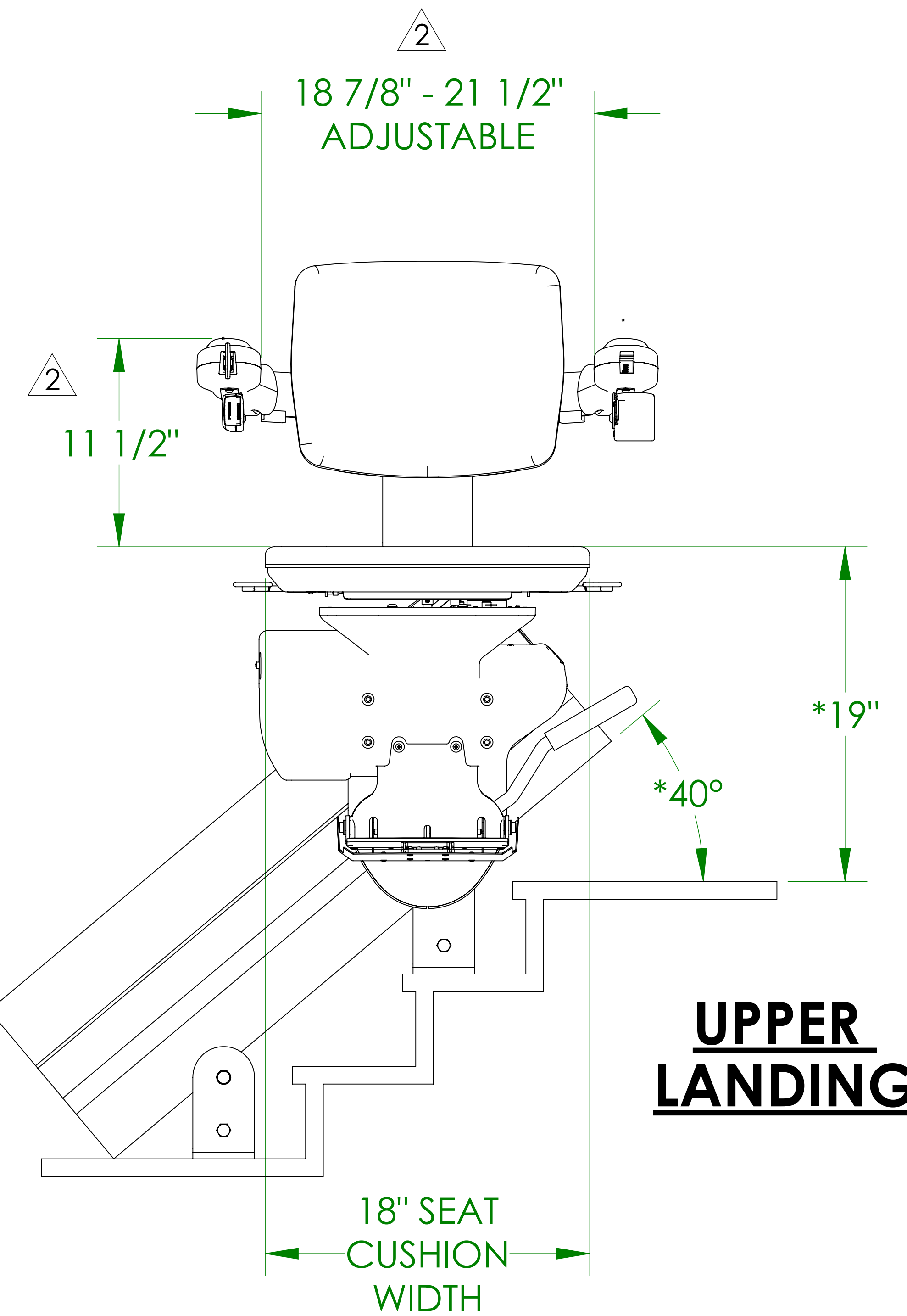
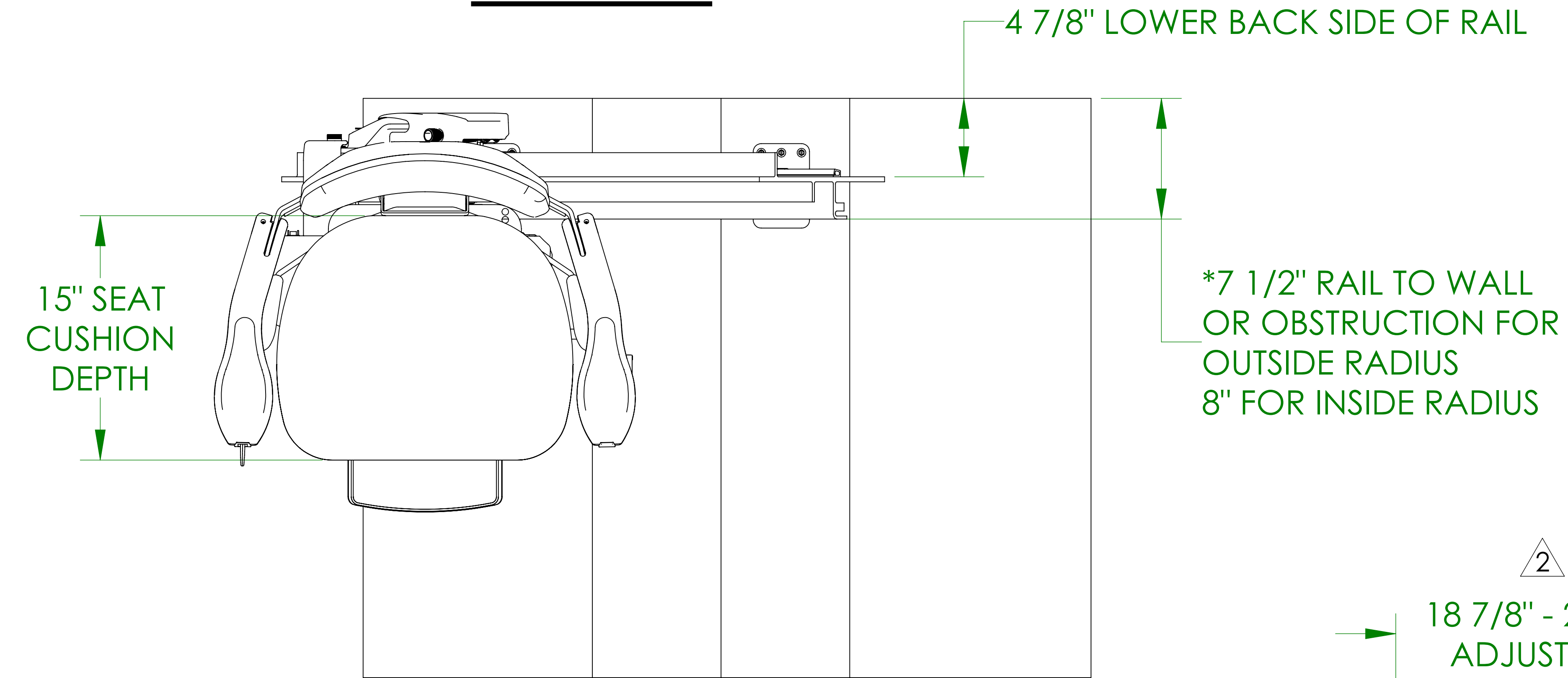


CRE-2110E ELITE CURVE OUTDOOR STAIRLIFT TECHNICAL APPLICATION DRAWING

TECHNICAL DATA/SPECIFICATION

MODEL: CRE-2110E OUTDOOR ELITE CURVE
 RATED LOAD: 400 LBS, ONE PASSENGER
 POWER SOURCE: 24 VOLT DC COMPRISED OF (2) 7 AMP/HR
 12 VOLT SEALED BATTERIES
 110 VOLT AC 1.5 AMP, 24 VOLT DC 2 AMP
 CONTINUOUS MONITORING CHARGER.
 DRIVE: 24 VOLT DC DIRECT DRIVE GEAR-MOTOR, 2 POLE
 RATED .68 HP, 58:1 RIGHT ANGLE SELF LOCKING
 GEARBOX, 41.5 RPM NO LOAD RPM OUTPUT SPEED.
 SUSPENSION: RACK & PINION - INTEGRATED 8DP GEAR RACK
 ON RAIL WITH A SPUR GEAR ON THE OUTPUT
 SHAFT OF THE GEAR BOX.
 BRAKING: DYNAMIC MOTOR BRAKING THROUGH THE MOTOR
 CONTROLLER, SELF LOCKING WORM GEAR, AND
 ELECTRO-MECHANICAL MOTOR BRAKE.
 CONTROLS: CONTINUOUS PRESSURE ARMREST SWITCH LOCATED
 ON THE ARM REST AND WALL MOUNTED CALL/SEND
 CONTROLS LOCATED AT BOTH THE TOP AND BOTTOM
 LANDINGS.
 ANGLES: 0 TO 45 DEGREES (SPECIALS UP TO 50 DEGREES) RIGHT
 OR LEFT HAND ORIENTATIONS.
 FINAL LIMIT SWITCH STANDARD
 KEYED CALL/SEND CONTROLS STANDARD
 KEYED CONTROL ON CHAIR STANDARD

TOP VIEW



DIMENSIONS ARE BASED ON 7.5" RAIL TO WALL POSITION

SIDE VIEWS

ELEVATION VIEWS

DIMENSIONS WITH * ARE APPROXIMATE.
 THESE DIMENSIONS MAY VARY BASED ON
 THE SLOPE, RISER HEIGHT, AND CUSTOM
 SEAT ADJUSTMENTS MADE FOR THE USER.

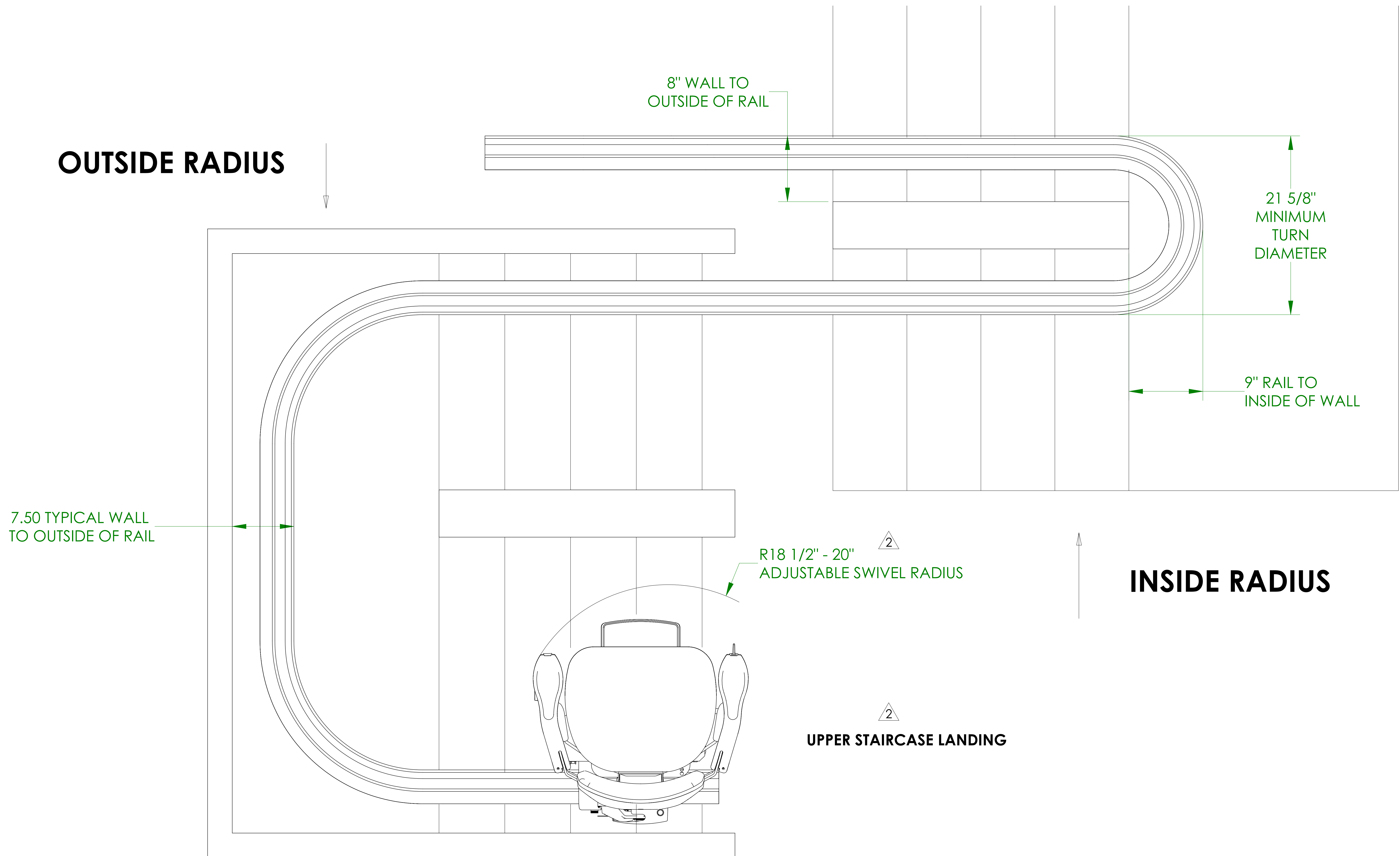


- NOTES:
 1. ALL SEATS ADJUST UP 3" IN 1" INCREMENTS.
 2. STANDARD FOOTREST ADJUSTS UP 5/8".

1780 Executive Drive
 P.O. 84
 Oconomowoc, WI 53066
 Tel 800-882-8181
 Fax 262-953-5501
 www.bruno.com

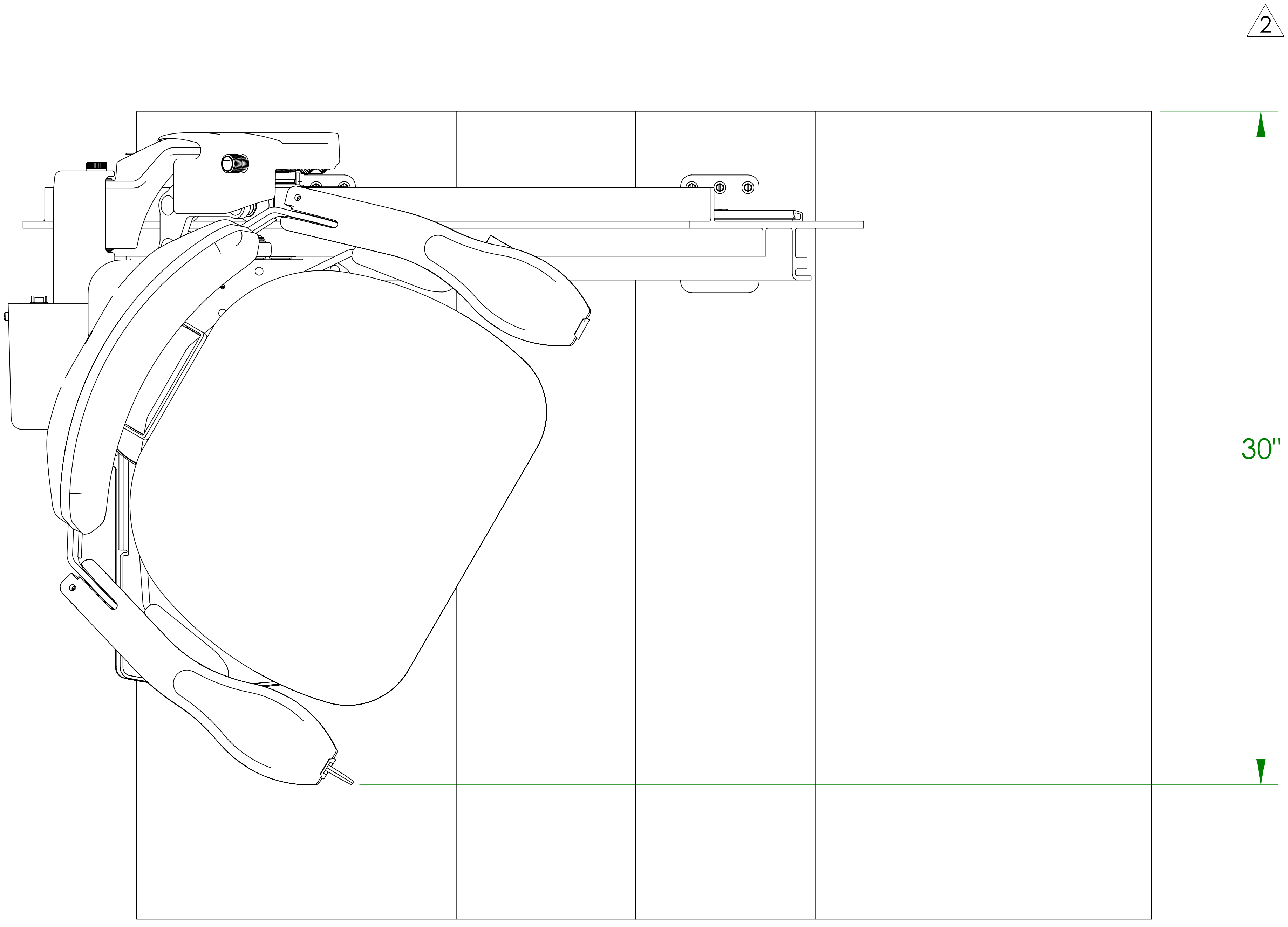


CRE-2110E ELITE CURVE OUTDOOR STAIRLIFT TECHNICAL APPLICATION DRAWING

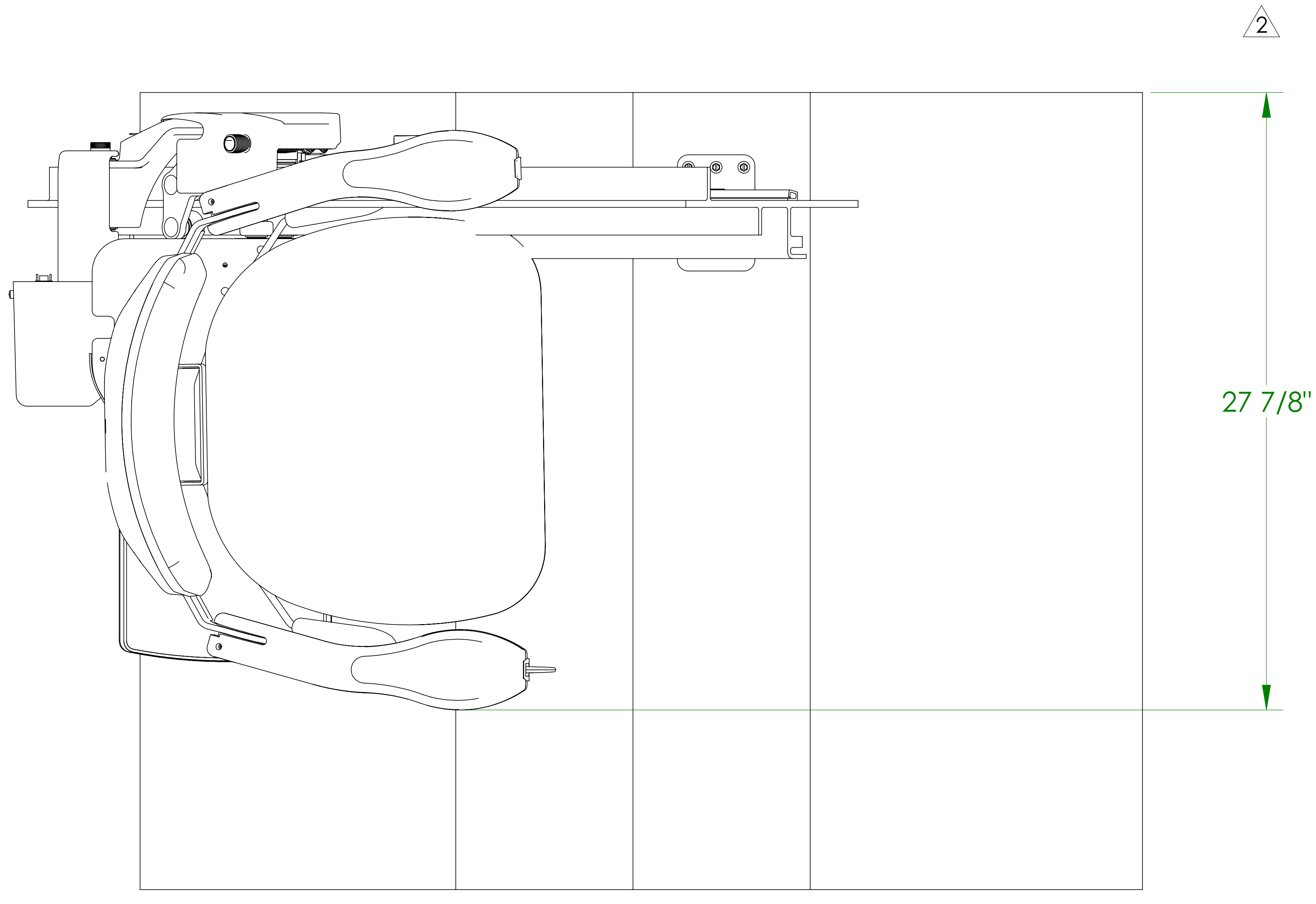


CRE-2110E ELITE CURVE OUTDOOR STAIRLIFT TECHNICAL APPLICATION DRAWING

DISTANCE FROM WALL - SEAT SWIVELED



SEAT SWIVELED 60°



SEAT SWIVELED 90°